

PIERCE FORESTRY GRAPPLES





GRAPPLE THIS!

How does less service and more uptime grab you? For more than 50 years, Pierce has been manufacturing hydraulic forestry grapples using input from professional loggers like you. As machinery and loggers get stronger, so do our grapples. The result is a product that does all the things you need it to do, easily and efficiently.

They feature optimum arm shape for big wood, tight grapple closure for superior small log control, load check valves to eliminate the risk of dropping your payload, and heavy-duty arms that possess the optimum shape for shovel logging, loading, unloading and sorting.

THE NEW SERIES

Pierce has further refined our family of industry leading forestry grapples.

All structures possess a simpler, more uniform and stronger design throughout – from the upper and lower housings, to the grapple arms, to even the dogbone link. We've also increased the armor that guards our cylinders. Not to mention the internal deflector that, both stiffens the lower body and prohibits damage to the swivel and hoses from stray limbs underneath.

Components have been upgraded too...our new bearing has a superior rating, our cylinders have an upgraded check valve and our rotate motor has been upgraded as well, not to mention common pins and bushings across our models.

All newly upgraded components are 'drop in' replaceable on previous models – making parts and service support seamless for grapples old and new.

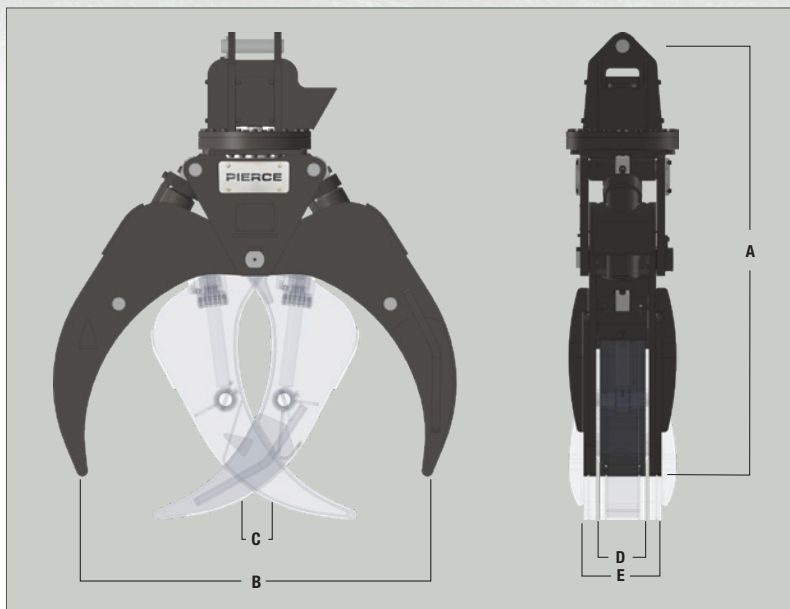
And, Pierce's revered arm shape has not been compromised, offering optimum shape for logs large and small and single or multiple stems.

All these refinements make the greatest forestry grapple even better.



GRAPPLE MODEL		TC46	TC52	TC58	TC60	TC63	TC66	TC68
OVERALL HEIGHT OPEN	(A)	71"	72"	76"	78"	77"	80"	83"
MAXIMUM OPENING	(B)	46"	53"	58"	61"	63"	66"	67"
MINIMUM OPENING	(C)	4"	4.5"	7"	7"	6.5"	8.5"	7.5"
LEG DEPTH: INNER	(D)	7"	8"	8.25"	8.25"	8.25"	10.25"	10"
LEG DEPTH: OUTER	(E)	11.5"	14"	14"	14"	14"	15.5"	15.5"
ARM CYLINDER SIZE		3.5"	4"	4"	4"	4"	4"	4"
TIP TO TIP SQ. FT.		3.16	3.43	4.71	4.71	4.62	5.5	6.96
CONTINUOUS ROTATION		360°	360°	360°	360°	360°	360°	360°
WEIGHT (Excluding Link)		1,200#	2,350#	2,475#	2,550#	2,575#	2,600#	2,900#

A SELECTION OF ALTERNATE LEG SHAPES ARE AVAILABLE UPON REQUEST.
 FEATURES AND TECHNICAL DATA MAY VARY WITHOUT NOTICE.



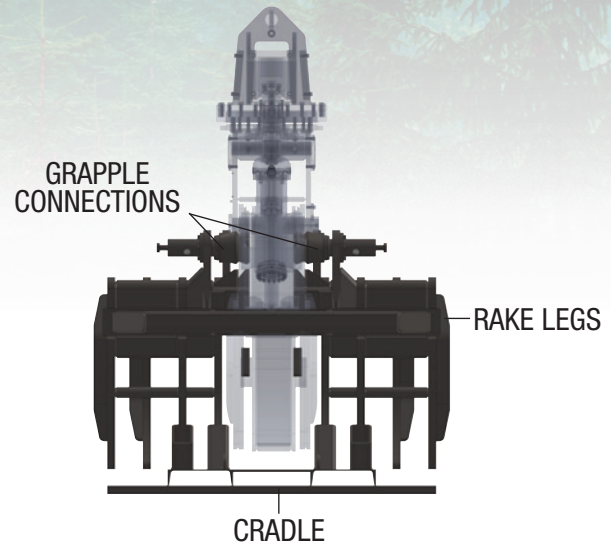
INCLUDES:

- Resilient, wear and impact-resistant material used throughout entire body and arms.
- Heavy-duty grapple arms designed for the rigors of west coast logging.
- Single center pivot pin design requires less maintenance and offers small grapple closure.
- Logs roll up into “throat” for greater payload control, regardless of log diameter.
- Oversized pins and bushings.
- 360° continuous rotation.
- Cylinder check valves reduce risk of dropping your payload, even during extreme spikes in pressure.
- Heavy-duty cylinder protection.
- Component commonality between all Pierce TC models for ease of serviceability and support, benefiting customers who own multiple grapples.



PIN-ON BRUSH RAKE

- Designed for heavy-duty brush piling.
- Use with your Pierce forestry grapple.
- Eliminate the need for a separate, dedicated brush grapple.
- Heavy-duty cradle and mounting connections included for easy attach/detach.
- Simple, pin-on design allows one-man mount/dismount in minutes.



LINKS

A selection of grapple links are available to properly suit all brands of machines and boom configurations.



DOGBONE



THROUGH-THE-SNOOT
(Requires through-the-snoot
heel rack)



Y-LINK
For "male style"
stick tip (i.e. excavator
or droop nose stick)



**PIERCE PACIFIC
MANUFACTURING, INC.**

Portland, Oregon USA

Toll Free: 800.760.3270



www.piercepacific.com