



LONG REACH
SUPER LOING
LONG STICKS
REACH





EXTEND YOUR POSSIBILITIES.

Venture beyond the range of standard excavators with our exclusive line of long reach excavator booms. An industry leader in designing, engineering, and manufacturing long reach excavator booms, Pierce booms now reach from 44' to over 100' to suit your application demands.

Pierce long reach booms are designed for excavators up to 49 metric tons and have a proven track record for boosting production in applications such as dredging and deep foundation excavation, barge unloading, canal irrigation, and pond clean-out.

If a unique design different from our standard configuration is required, talk to us about building a boom to fit your precise needs. And for larger machines, ask about Pierce super long reach booms.

LONG REACH BOOMS. QUICK REACH SUPPORT.

Pierce has a long history of supplying excavator manufacturers—and their dealer networks—with long reach excavator booms that are built to withstand the test of time. Our booms are designed using sophisticated engineering software, built with mill-certified steel, and manufactured using cutting-edge assembly methods right here in North America. All Pierce booms meet or exceed tough OEM design standards and come with ISO-rated performance data for your specific machine. And with warehouses and technical support located throughout North America, you're within quick reach of all you need to keep you working.



FIRST CLASS
COMPANIES
ONLY ENDORSE
FIRST CLASS
ATTACHMENTS.

Only genuine Pierce-built long reach booms are designed to meet the strict demands of OEMs like Caterpillar, John Deere, Komatsu, Volvo, and Link-Belt. Ask if your boom is endorsed by the big boys! If not, you should consider Pierce.

EXCLUSIVELY
PIERCE

MACHINE	BOOM OPTION		DC BUCKET				GP BUCKET		
	SIZE	BOOM	REACH	WEIGHT	CAPACITY	WIDTH	WEIGHT	CAPACITY	WIDTH
16-19 MT	LR2-44C	44'	8,250#	.759 YD3	60"	800#	.50 YD3	24"	750#
20-21 MT	LR2-50C	50'	9,185#	.759 YD3	60"	800#	.62 YD3	24"	975#
22-26 MT	LR3-50C	50'	10,970#	1.125 YD3	60"	1,250#	.75 YD3	36"	1,250#
	LR3-55C	55'	12,500#	1.0 YD3	60"	1,200#	.75 YD3	36"	1,250#
	LR2-60C	60'	11,450#	.759 YD3	60"	800#	.62 YD3	24"	975#
27-29 MT	LR3-50C	50'	11,300#	1.33 YD3	60"	1,300#	1.0 YD3	36"	1,650#
	LR3-55C	55'	12,500#	1.33 YD3	60"	1,050#	.75 YD3	30"	1,000#
	LR3.2-60C	60'	12,163#	1 YD3	60"	1,050#	.75 YD3	30"	1,000#
	LR3-60C	60'	13,490#	1 YD3	60"	1,200#	.75 YD3	36"	1,250#
30-39 MT	LR3-44C	44'	12,750#	2 YD3	64"	2,200#	1.5 YD3	42"	2,500#
	LR3-50C	50'	11,500#	1.75 YD3	60"	1,400#	1.25 YD3	36"	1,500#
	LR3-55C	55'	12,995#	1.5 YD3	60"	1,350#	1.0 YD3	36"	1,650#
	LR3-60C	60'	13,990#	1.33 YD3	60"	1,300#	.75 YD3	36"	1,250#
	LR3-65C	65'	14,950#	1.125 YD3	60"	1,250#	.75 YD3	30"	1,250#
40-49 MT	LR4-50C	50'	17,600#	2.75 YD3	64"	2,700#	2.5 YD3	48"	3,000#
	LR4-55C	55'	18,600#	2.5 YD3	64"	2,400#	2 YD3	48"	2,550#
	LR4-60C	60'	19,300#	2.28 YD3	64"	2,375#	1.5 YD3	42"	2,500#
	LR4-65C	65'	20,210#	1.75 YD3	64"	2,200#	1.0 YD3	36"	2,225#
	LR4-70C	70'	21,240#	1.125 YD3	60"	1,250#	.75 YD3	36"	1,250#

NOTE: BOOM WEIGHTS DO NOT INCLUDE HOIST CYLINDERS OR BUCKETS.
CUSTOM BUCKETS AND BUCKET SIZES ARE AVAILABLE UPON APPLICATION APPROVAL.
PIERCE LONG REACH BOOMS UTILIZE OEM EXCAVATOR HOIST CYLINDERS. IF NEEDED, PIERCE CAN SUPPLY.
ALL DITCH CLEANING BUCKETS COME EQUIPPED WITH BOLT-ON CUTTING EDGE.
ALL GENERAL PURPOSE BUCKETS COME EQUIPPED WITH TEETH.



PIERCE LONG REACH BOOMS

INCLUDED:

- Main boom and stick sections.
- Stick cylinder.
- Bucket cylinder and linkage.
- All boom and stick plumbing.
- Centralized lubrication.
- Complete the package with additional counterweight and a variety of buckets specifically designed for Pierce long reach booms.

NOT JUST ANOTHER BUCKET.

Specifically designed to work with Pierce long reach booms, each bucket is fabricated exclusively with high-strength steel, resulting in a lightweight bucket that maximizes payload.



GENERAL PURPOSE

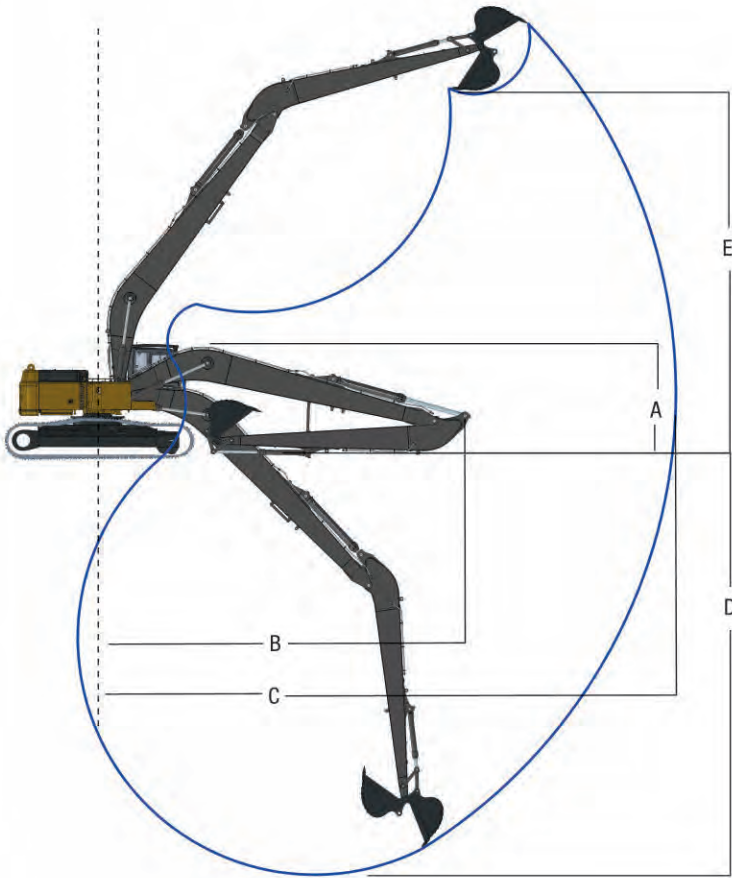


DITCH CLEANING



AQUATIC WEED

LONG REACH



MACHINE SIZE	BOOM MODEL	REACH	A	B	C	D	E
16-19 MT	LR2-44C	44'	9'8"	28'	44'3"	33'	35'3"
20-21 MT	LR2-50C	50'	10'3"	31'4"	50'	37'7"	40'1"
22-26 MT	LR3-50C	50'	10'8"	32'2"	50'	37'7"	37'
	LR2-55C	55'	11'1"	35'	55'1"	42'3"	39'4"
	LR2-60C	60'	10'9"	39'8"	59'10"	48'6"	39'6"
27-29 MT	LR3-50C	50'	10'8"	32'2"	50'	37'5"	37'2"
	LR3-55C	55'	11'1"	35'	55'1"	42'	39'7"
	LR3.2-60C	60'	11'3"	39'8"	60'4"	48'3"	41'
	LR3-60C	60'	11'5"	39'7"	60'9"	48'2"	38'
30-39 MT	LR3-44C	44'	11'1"	27'9"	44'3"	33'6"	25'7"
	LR3-50C	50'	11'	32'2"	50'	37'1"	34'9"
	LR3-55C	55'	11'2"	35'10"	55'11"	44'	34'6"
	LR3-60C	60'	11'5"	39'7"	60'9"	47'9"	38'5"
	LR3-65C	65'	12'	42'	65'3"	51'9"	41'7"
40-49 MT	LR4-50C	50'	12'4"	33'6"	51'	37'10"	31'2"
	LR4-55C	55'	12'6"	36'5"	55'6"	41'4"	33'3"
	LR4-60C	60'	12'6"	39'9"	61'5"	46'2"	38'5"
	LR4-65C	65'	12'8"	41'11"	66'	49'4"	42'6"
	LR4-70C	70'	12'8"	43'8"	70'5"	54'3"	44'8"

TRANSPORT CRADLE



For overseas container shipments.

NOTE: SPECIFICATIONS MAY CHANGE DEPENDING UPON MACHINE MAKE AND MODEL.

SUPER-SIZE YOUR CAPABILITIES WITH SUPER LONG REACH BOOMS.

Dig deeper and reach farther with Pierce super long reach booms. Specially designed for deep trenching, as well as mining sand and gravel, our super long reach booms work with the equipment you already have, including excavators ranging from 40 to 350 metric tons.

Our exclusive slurry seal package is designed specifically for abrasive material applications, making it easy to extend the pin and bushing service life on critical connections. Seals allow for bushing run-out and wear, while maintaining the integrity of the seal-to-pin engagement.



SUPER LONG REACH BOOMS

INCLUDED:

Main boom and stick sections - A514 (T-1) construction.
Stick cylinder.
Bucket cylinder and linkage.
All boom and stick plumbing.
Centralized lubrication.

OPTIONAL:

High pressure filter system.
Oversized hoist cylinders.
Additional counterweight.
Complete selection of ditch cleaning, general purpose, and trenching buckets.



HIGH PRESSURE FILTER SYSTEM



A high pressure, non-bypass filter system provides maximum contaminant defense for all return oil flow, protecting the machine's hydraulic system. A cab mounted LED indicator alerts the operator of plugged filter.

TRENCHING BUCKETS



Be sure to check out our extra tough ripper buckets for aggressive trenching.



DEEP TRENCHING/SLURRY WALL

MACHINE SIZE	BOOM MODEL	OVERALL LENGTH	DEPTH
60-74MT	LR6-60	60'	44'
60-74MT	LR6-65	65'	48'
60-74MT	LR6-70	70'	52'
60-74MT	LR6-75	75'	56'
75MT	LR7-60	60'	44'
75MT	LR7-70	70'	52'
80-90MT	LR8-60	60'	44'
80-90MT	LR8-65	65'	48'
80-90MT	LR8-70	70'	52'
80-90MT	LR8-75	75'	56'
80-90MT	LR8-80	80'	60'
115-130MT	LR11-80	80'	62'
115-130MT	LR11-90	90'	71'
115-130MT	LR11-100	100'	81'
115-130MT	LR11-105	105'	86'

MINING

MACHINE SIZE	BOOM MODEL	OVERALL LENGTH	BUCKET CAPACITY (YD ³)
60-74MT	LR6-60	60'	2.5-3.0
60-74MT	LR6-65	65'	2.0-2.5
60-74MT	LR6-70	70'	1.5-2.0
60-74MT	LR6-75	75'	1.5
75MT	LR7-60	60'	3.0-3.25
75MT	LR7-70	70'	2.0-2.5
80-90MT	LR8-60	60'	3.25-3.50
80-90MT	LR8-65	65'	2.75-3.0
80-90MT	LR8-70	70'	2.75-3.0
80-90MT	LR8-75	75'	2.5-2.75
80-90MT	LR8-80	80'	2.5
115-130MT	LR11-80	80'	3.0-3.5
115-130MT	LR11-90	90'	2.5-3.0

WORK HARD AND CARRY AN EXTRA LONG STICK.

Pierce long sticks go to great lengths to improve your productivity, without the need to invest in a complete long reach or material handling machine. They're built to extend the reach of your excavator's stick up to 50%—allowing you to stretch your capabilities, easily and economically.

Our engineers understand the rigors of heavy construction. That's why our long sticks are specially designed and engineered from the ground up to meet the tough demands of heavy-duty use, day after day. It's what sets Pierce attachments apart from pin-on stick extensions or stick modifications which are best suited for short-term, light-duty, and incidental work.

Our long sticks are designed to precision fit your excavator's main boom, stick cylinder, bucket cylinder, linkage, connection pins, and factory main boom plumbing.



STRETCH YOUR CAPABILITIES. NOT YOUR BUDGET.

Rugged Pierce long sticks are an easy and economical way to transform your excavator into a material handler or long reach machine. Start making your equipment work more efficiently and profitably with a long stick that's optimally engineered to suit your needs.

PIERCE LONG STICKS

Extend excavator stick reach up to 50%.
Choose from 12' to 40' lengths (depending on excavator make/model).
Available in excavator and droop nose configurations.

INCLUDED:

- Bare stick.
- Bushings in bores.
- Parflanged hydraulic plumbing.

OPTIONAL:

- Bucket cylinder and linkage.
- Work tools.



DROOP NOSE CONFIGURATION



EXCAVATOR CONFIGURATION



BARE STICKS: EXCAVATOR AND DROOP NOSE

MACHINE SIZE	STICK LENGTH	EST. WEIGHT
15-19 MT	12'	1,300#
15-19 MT	14'	1,500#
15-19 MT	18'	2,150#
20-21 MT	12'	1,450#
20-21 MT	14'	1,750#
20-21 MT	16'	2,200#
20-21 MT	20'	3,300#
22-26 MT	12'	1,700#
22-26 MT	14'	2,100#
22-26 MT	16'	2,300#
22-26 MT	20'	3,400#
27-29 MT	14'	2,400#
27-29 MT	18'	3,500#
27-29 MT	22'	4,800#
30-39 MT	14'	3,850#
30-39 MT	16'	4,050#
30-39 MT	18'	4,300#
30-39 MT	22'	5,600#
30-39 MT	24'	5,850#
30-39 MT	28'	7,140#
40-49 MT	14'	3,940#
40-49 MT	16'	4,120#
40-49 MT	18'	4,450#
40-49 MT	20'	5,420#
40-49 MT	22'	5,850#
40-49 MT	24'	6,350#
40-49 MT	28'	7,400#
60-75 MT	18'	7,700#
60-75 MT	22"	8,600#
60-75 MT	28'	10,000#
80-90 MT	18' 4"	11,000#
80-90 MT	30'	17,800#
80-90 MT	39'	11,200#



Pierce Pacific Manufacturing, Inc.

4424 NE 158th
Portland, Oregon 97230 USA

Post Office Box 30509
Portland, Oregon 97294 USA

Telephone: 503.808.9110
Toll Free: 800.760.3270
Fax: 503.808.9111

Distribution Warehouses
Edmonton, Alberta Canada
Jackson, Mississippi USA

www.piercepacific.com